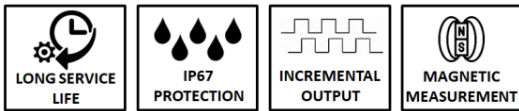




- High accuracy and repeatability
- Magnetic measurement
- Contactless / non-friction system
- High tolerance to vibration and shocks
- Measuring up to 20 meters
- Resistant to dust, oil and moisture
- No maintenance required
- Robust aluminum body
- IP67 protection class
- Easy installation

MLC 310 magnetic linear encoder systems measure non-contactly and gives the output signal as an incremental encoder pulse.

They are not affected by external factors due to its compact design. MLC 310 sensor is housed along the aluminum profile. Extra protection from dust, dirt and chips is provided by having a double seal protection system. It is the ideal solution for machining environments. It can be produced up to a measuring length of 20.000 mm.



MLC 310 Series Linear Encoders Are Mainly Used In:

- Lathes, Milling, Drilling, Grinding Machines
- Sheet Metal Working Machines
- Welding Machines
- Bending Machines
- Robotics/Materials Handling
- Marble Machines
- Wood Cutting Machines
- PVC Profile Cutting Machines
- Glass Working Machinery
- Etc...

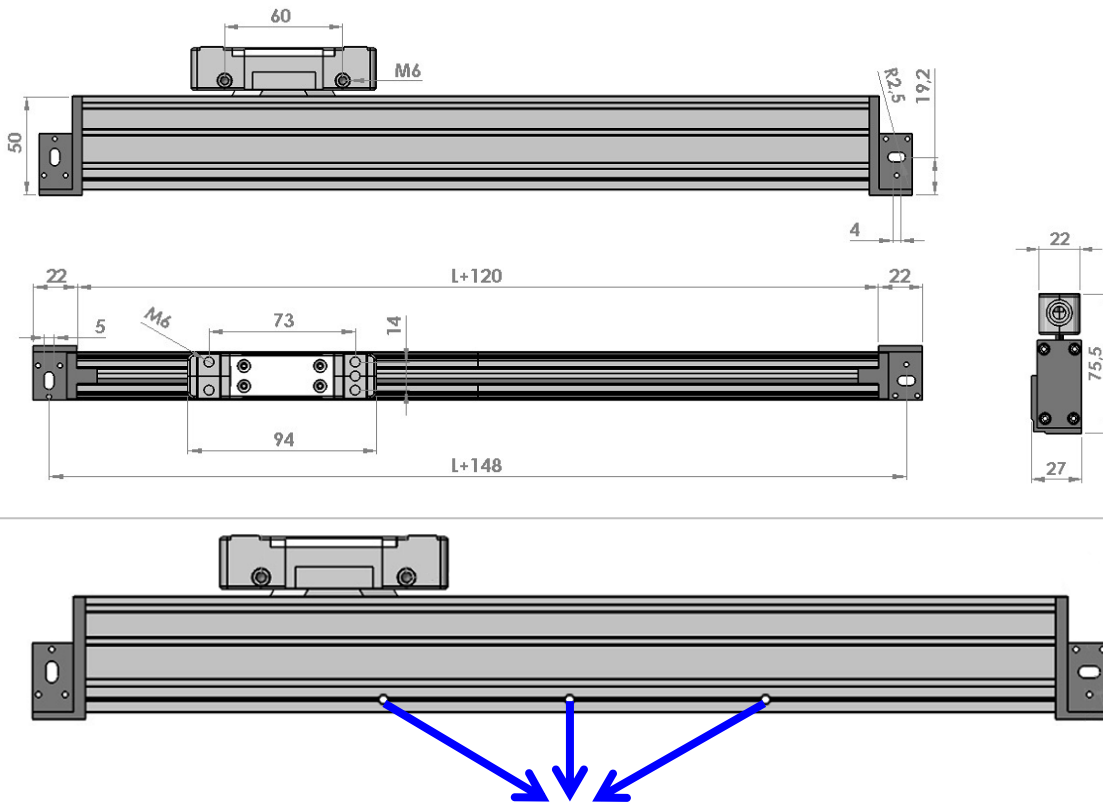
| Technical Specifications | |
|------------------------------|--|
| Resolution | 5µm, 10µm, 25µm, 50 µm, 62.5µm, 100µm (optional other resolutions) |
| Measuring Principle | Magnetic |
| Output Type | Push-Pull or TTL RS422 Line Driver |
| Output Signals | A, /A, B, /B, Z, /Z |
| Input Current | Maximum 40 mA per channel |
| Supply Voltage | PPL: 10..30 VDC or TTL: 5 VDC |
| Body Material | Sensor: Nickel Plated Aluminum Scale Profile: Anodized Aluminum |
| Electrical Connection | D-Sub 9 Pin, 5 or 8 x 0,14 mm ² shielded cable |
| Tape Reading Distance | 0,1 mm to 2 mm |
| Accuracy | ± 40 µm/m |
| Operating Speed | 3 m/s |
| Repeatability | ± 1 Pulse |
| Operating Temperature | 25°C ... +85°C |
| Protection Class | IP67 |

Standard Stroke Lengths (mm)

| | | | | | | | | | |
|------|------|------|------|------|------|------|------|------|------|
| 100 | 120 | 150 | 170 | 200 | 220 | 250 | 270 | 300 | 320 |
| 350 | 370 | 400 | 420 | 450 | 470 | 500 | 520 | 550 | 570 |
| 600 | 650 | 700 | 750 | 800 | 850 | 900 | 950 | 1000 | 1100 |
| 1200 | 1300 | 1400 | 1500 | 1600 | 1700 | 1800 | 2000 | 3000 | 4000 |

*Please contact for other strokes.

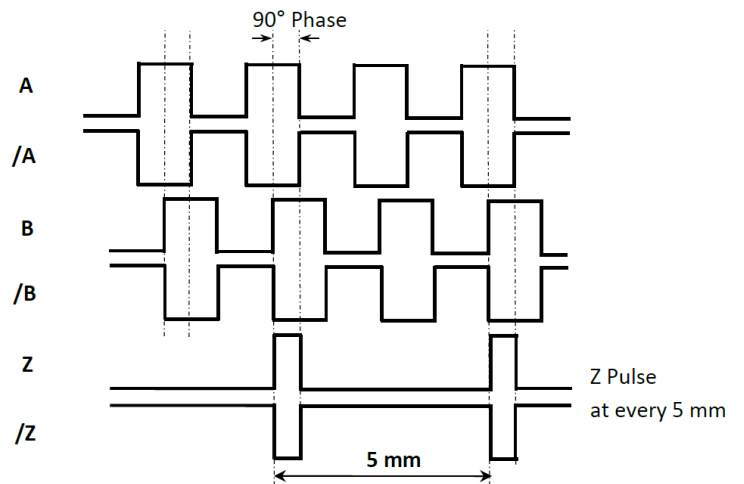
Mechanical Dimensions



For long scale installations, generally it is not enough to fix the scale in 2 ends. In such cases, mounting holes can be opened over the lowest line on the ruler profile. Mounting holes can be opened from the desired location along the line with a diameter of 6 mm. Thus, long rulers can be secured in a healthy way.

Electrical Connections

| SIGNAL | CABLE COLOR | D-SUB 9 PIN / SOCKET PIN NO |
|--------|-------------|-----------------------------|
| A | Yellow | 1 |
| /B | White | 2 |
| +V | Red | 3 |
| 0V | Black | 4 |
| /A | Blue | 5 |
| B | Green | 6 |
| /Z | Grey | 7 |
| Z | Pink | 8 |
| - | Shield | 9 |



Order Details

Magnetic Tape

B5

MLC310 - X X - X X - X X X - X - X X - X X - X X X mm

Power Supply and Output

TTL : 5VDC Supply Voltage,
5 VDC TTL RS422 Line Driver Signal Output
PP : 10...30 VDC Supply Voltage,
10...30 VDC Push-Pull Signal Output
HTL : 10...30 VDC Supply Voltage,
5 VDC TTL RS422 Line Driver Signal Output
HPL : 5...30 VDC Supply Voltage,
5...30 VDC Push-Pull Signal Output

Cable Length

3M : 3 meters
3.5M : 3,5 meters
4M : 4 meters
5M : 5 meters
6M : 6 meters
7M : 7 meters
8M : 8 meters
9M : 9 meters
10M : 10 meters
15M : 15 meters
* Please ask for other options

Measuring Stroke

See standard stroke lengths table, contact for other stroke lengths.

Model

Resolution

05 : 5µm | 10 : 10µm
25 : 25µm | 50 : 50µm
62 : 62,5µm | 100 : 100µm

Signal Output Types

2 : A, B | 3 : A, B, Z
4 : A, /A, B, /B | 6 : A, /A, B, /B, Z, /Z
Z : Standard, Z Signal at every 5 mm

Cable Type

C : PUR Cable
S : Spiral

فروشگاه کانون ابزار

Atek Sensor Technologies



تلفن : 021 66 39 39 00
موبایل : 0912 147 3023
www.ali5.ir

Tuzla Kimya Sanayicileri Org. San. Bolg. Melek Aras Bulvarı, No:67 34956 Tuzla - Istanbul / TURKEY
Tel: +90 216 399 44 04 Fax: +90 216 399 44 02
www.alfasanayi.com info@alfasanayi.com
DS-MLC.002 Rev No:1