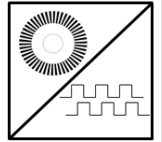


GENERAL FEATURES

- Different stroke (measuring) lengths between 0...300 mm and 0...1250 mm
- Incremental output
- Stainless steel measuring wire
- Small structure
- IP53 protection class (optional IP67)
- Compact design
- Easy installation
- 2 m/s maximum speed
- Shock/Vibration resistant
- Aluminum anodized body



AWE 110 wire encoders convert linear motion into incremental digital pulses. Different stroke lengths between 0...300 mm and 0...1250 mm are available. Optionally other stroke lengths, resolutions, cable lengths and socket connectors can be requested.

They make measurement by pulling and rewinding stainless steel wire. Usage is practical and usage area is quite wide. By connecting to a counter or position controller, they become a perfect system in high resolutions for position control in wood processing, marble machines, glass processing machines and other machines.

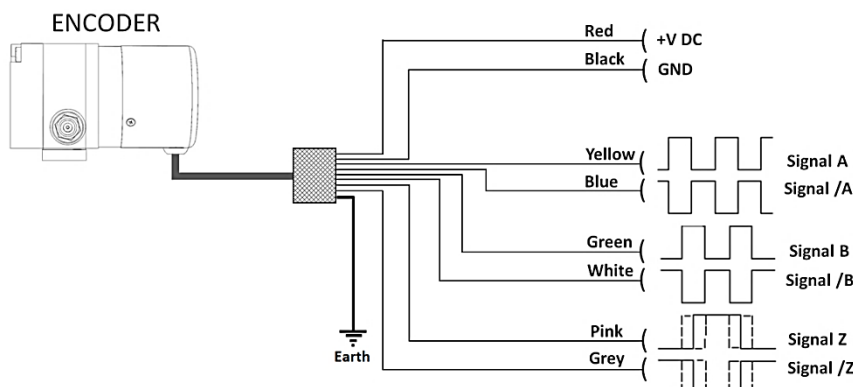
TECHNICAL SPECIFICATIONS

*Stroke (measuring) Length	Different measuring lengths between 0...300 mm and 0...1250 mm	Maximum Speed	2 m/s
*Resolution	pulse/mm	Required Force	5 N
	mm/edge	Max Output Current	60 mA (per channel)
	10 pulses/mm(standard) 20 pulses/mm 5 pulses/mm	0.025 mm (standard) 0.0125 mm 0.05 mm	Measuring Type
*Connection Cable	3m (standard), 5m, 10m	Materials	Housing: Aluminum/steel /plastic Measuring Wire: Stainless steel
*Supply Voltage	5...30V DC ±20%	IP Protection Class	IP53 (optional IP67)
*Output Signals	A,B,Z (standard)	Operating Temperature	-25°C ... +85°C
	A,B	Relative Humidity	%95
	A,/A,B,/B A,/A,B,/B,Z,/Z	Weight	≈550 gr
Accuracy	±0.25% FS		

Note: The technical specifications indicated by (*) vary according to the selected model. The detailed code table is shown on page 3.

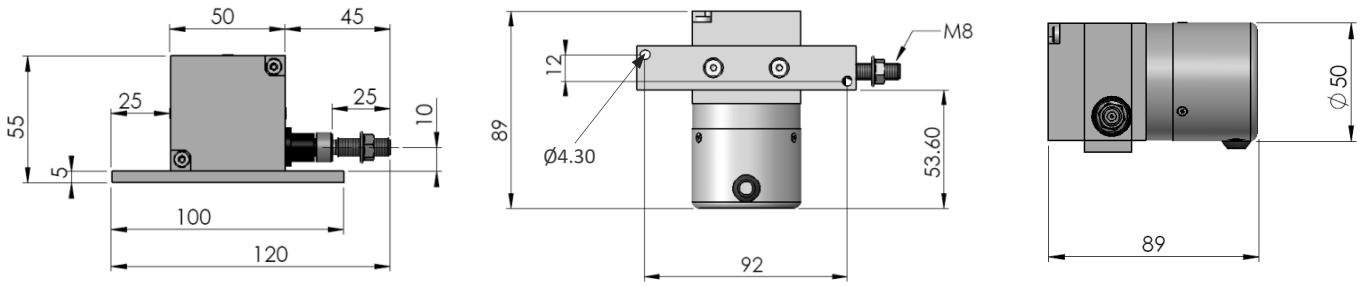
ELECTRICAL CONNECTION

In the left tablet the cable colors of sensors output signals are given. If the control circuit is suitable in the Line Driver sensors of the not output signals (/A, /B, /Z) have to be added to the system. If it is not suitable /A, /B, /Z signal cables must be fixed as insulated separately. Don't forget that these edges have electricity too.



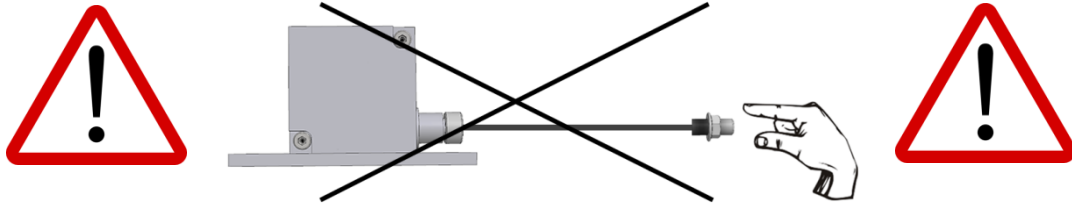
SIGNAL	CABLE COLOR	M12/8 pin SOCKET	M12/5pin SOCKET
		PIN NO	PIN NO
A	Yellow	1	1
B	Green	2	2
+V	Red	3	3
0V	Black	4	4
Z	Pink	5	5
/A	Blue	6	-
/B	White	7	-
/Z	Grey	8	-
EARTH	Silver	-	-

DIMENSIONS

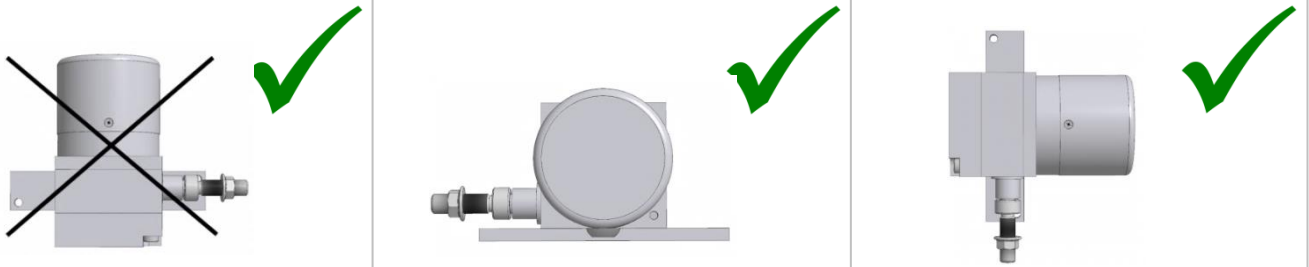


MOUNTING AND WARNINGS

1. Never release the wire after pulling. Otherwise, the coil spring will be damaged.



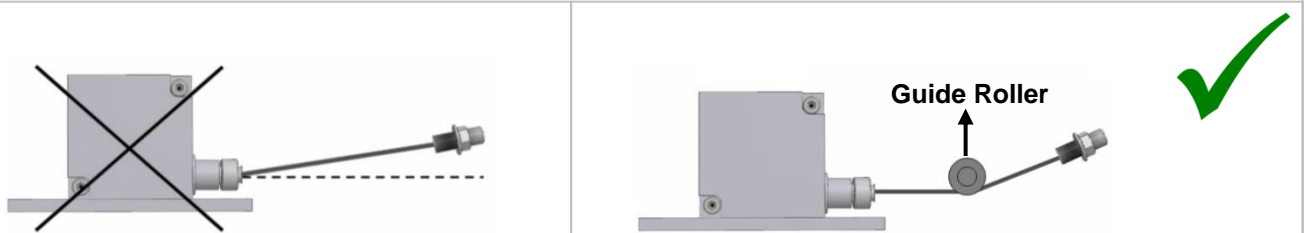
2. The wire encoder must be mounted vertically in position, not be horizontally.



3. If there is a trickle of water (like a rain), the wire outlet must not be a drip of water upstream. If needed please use guide rollers.



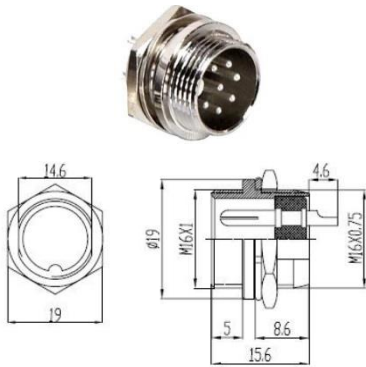
4. The wire should not be pulled in angular. If needed, please use guide rollers.



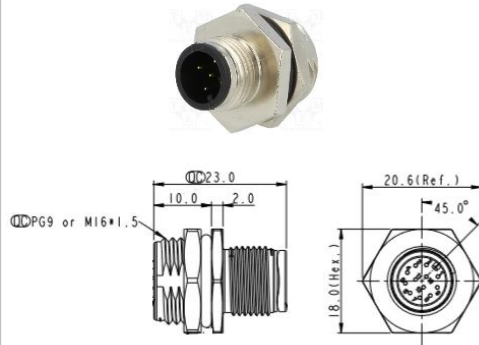
Important Note(!): Failure to comply with these recommendations, the malfunctions that may occur will not be under the warranty.

SOCKET MODELS

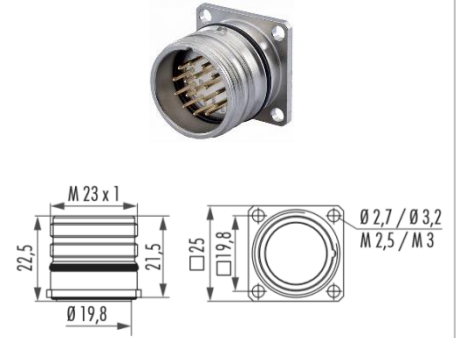
M16 8 PIN MALE SOCKET



M12 5 PIN MALE SOCKET

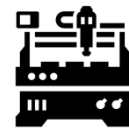
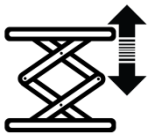


M23 12 PIN MALE SOCKET

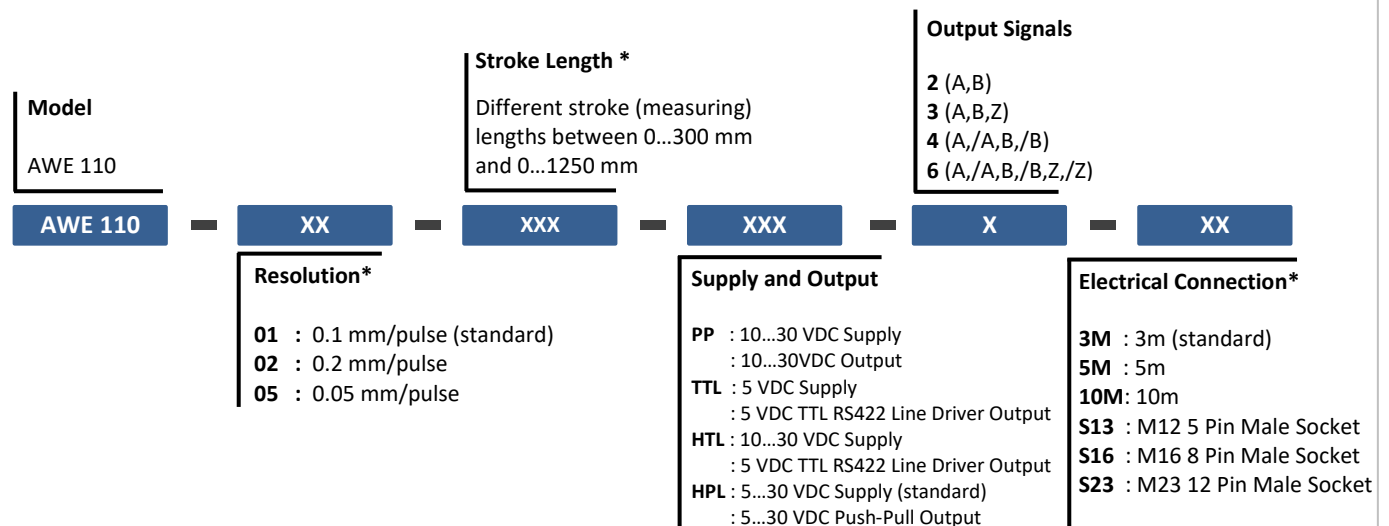


SAMPLE APPLICATION FIELDS

- Elevators
- Press machines
- Crane systems
- Wood processing machines
- Marble processing machines
- Storage positioning
- Dam protections
- Sluice gate control
- Air compressors
- Glass processing machines
- Lifting platforms
- Applications in medical technologies (operating table etc.)
- Forklifts
- Screw machines
- Paper machines
- Sewing machines
- Hydraulic machines
- Sheet metal machines
- Printing machines
- Horizontal control equipments
- Construction machines
- Industrial robots
- Injection machines
- X-Y axis displacement
- Liquid level measurements and position control



ORDER CODE



(* Please contact for other (customized) options.

فروشگاه کانون ابزار

Atek Sensor Technologies

تلفن : 021 66 39 39 00
موبایل : 0912 147 3023
www.ali5.ir

Tuzla KOSB Organize Sanayi Bolgesi Melek Aras Bulvari, No:67 34956 Tuzla-Istanbul / TURKEY

Tel: +90 216 399 44 04

Fax: +90 216 399 44 02

www.ateksensor.com

info@ateksensor.com