



- Stroke up to 1000 mm
- Absolute measurement of displacement
- 0/4-20 mA Analog output
- Resolution 0,01 mm
- Very long life up to 100 million movements
- High independent linearity 0,3 %
- The grooves provide an excellent alternative to the usual system of fastening with brackets
- CE Declaration confirmity

LTM-A is a high precision 0-20mA or 4-20mA analog output industrial linear motion transducer with a long lasting conductive track suitable for absolute position measuring in control and measurement applications. Designed for the direct, absolute measurement of displacement or length in control regulation and measuring applications. High resolution (0.01 mm) combined with a stroke length of up to 1000 mm permits the accurate measurement of linear displacement. Rack and pinions or similar devices are not required because the design of the transducers is such that they may be built directly into the mechanical system.

Applications: LTM-A Series can be used in a wide range of applications in mechanical and vehicle engineering industries as well as in automation and robotics technologies, combining remarkable robustness with high accuracy.

LTM-A Series 0/4-20 mA Analog Output Linear Transducers are mainly used in :

- Press Brake Machines
- Horizontal Band Saw Machines
- Transfer Machines
- Hydraulic Machines
- Sheet metal working machines
- Bending presses
- Plastic & Metal Injection Machines
- Textile Machines
- Robotics/materials handling
- Profile Cutting Machines
- CNC Pipe Twisting Machines
- Plastic Extrusion Machines

Technical Specifications

Defined Electrical Ranges	50 - 75 - 100 - 125 - 150 - 175 - 200 - 225 - 250 - 275 - 300 - 325 - 350 - 360 - 375 - 400 - 450 - 500 - 550 - 600 - 650 - 700 - 750 - 800 - 900 - 1000
Output Signals	Standart 4-20 mA Analog Output (optional 0-20mA)
Independent Linearity	± %0,3
Electrical Connection	4 pin female DIN43650
Power Supply	24 VDC
Temperature Range	-30°C +100°C
Life	100 million movements
Mechanical Fixing	Adjustable distance clamps
Rod Material	Stainless steel
Housing Material	Anodized aluminium

Order Code

Model No

L T M - 3 0 0 - A

Defined Stroke Range

Several standard lengths from 50 mm to 1000 mm

Output

A : 4-20 mA Analog Current Output

**Optional 0-20 mA Current Output

Included in Delivery

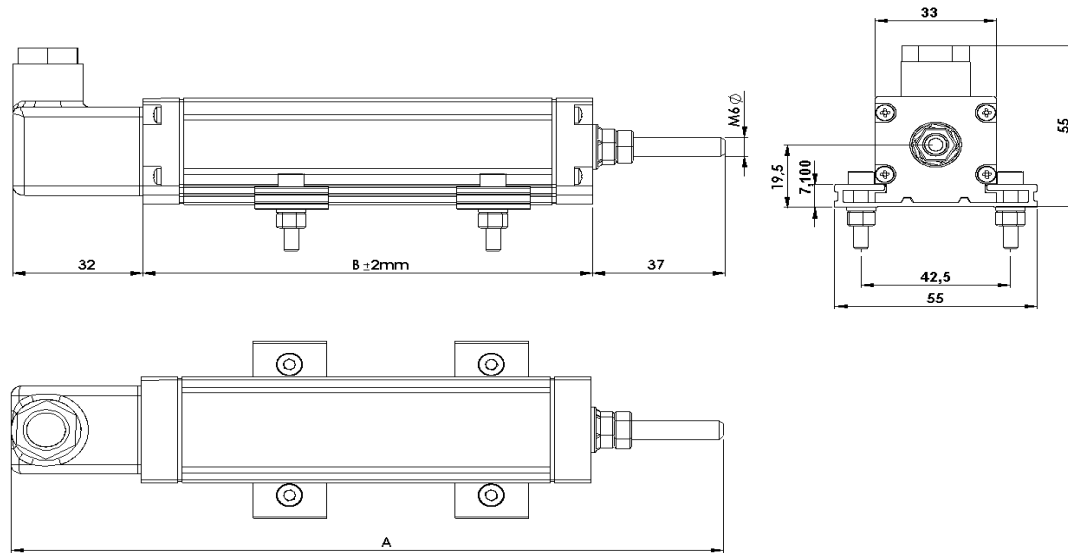
- 1 Connector / 4 pin female socket (DIN43650)
- 2 Quantity Fixing Clamps
- 4 Quantity Screw

Recommended Accessories

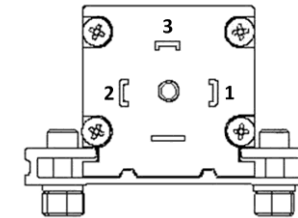
- Pivot head
- Process-controlled indicators “ALP Series”



Dimension



Connections



0/4-20 mA ANALOG OUTPUT

1. +24 VDC Supply
2. Analog Output
0/4-20 mA Current Output
3. GROUND
4. SHIELD

TYPE	LTM 50	LTM 75	LTM 100	LTM 125	LTM 150	LTM 175	LTM 200	LTM 225	LTM 250	LTM 275	LTM 300	LTM 325	LTM 350	LTM 360	LTM 375	LTM 400	LTM 450	LTM 500	LTM 550	LTM 600	LTM 650	LTM 700	LTM 750	LTM 800	LTM 900	LTM 1000	
STROKE	50	75	100	125	150	175	200	225	250	275	300	325	350	360	375	400	450	500	550	600	650	700	750	800	900	1000	
MECHANICAL STROKE (mm)	54	79	104	129	154	179	204	229	254	279	304	329	354	364	379	404	454	504	554	604	654	704	754	804	904	1004	
ELECTRICAL STROKE (mm)	50	75	100	125	150	175	200	225	250	275	300	325	350	360	375	400	450	500	550	600	650	700	750	800	900	1000	
MECHANICAL DIMENSIONS																											
TOTAL LENGTH (A) (mm) ±2 mm	202	227	252	277	302	327	352	377	402	427	452	477	502	512	527	552	602	652	702	752	802	852	902	952	1052	1152	
Only for "A" Series BODY LENGTH (B) (mm) ±2 mm	133	158	183	208	233	258	283	308	333	358	383	408	433	443	458	483	533	583	633	683	733	783	833	883	983	1083	

Iran agent

Tel: 021 66 3939 00
 Mob: 0912 147 3023
 www.IranAtek.ir



ATEK SENSOR TECHNOLOGY AS

Tuzla KOSB Organize Sanayi Bolgesi, Melek Aras Bulvari No:67 TR-34956 Tuzla - Istanbul - TURKEY
 Tel : +90 216 399 44 04 pbx Fax : +90 216 399 44 02
 Web: www.ateksensor.com e-mail: info@ateksensor.com