

- Optical or magnetic principle
- Incremental measurement
- 6, 8, 10 mm hole diameters
- 4 to 10.000 pulses resolution
- 300 KHz replying frequency

TECHNICAL SPECIFICATIONS

Process Temperature	- 25 to 85 °C
Stock Temperature	- 40 to 100 °C
Protection Class	IP54
Replying Frequency	300 KHz
Working Speed	Optical: 6.000 RPM max. Magnetic: 3.000 RPM max.
Hole Diameter	6 mm, 8 mm, 10 mm

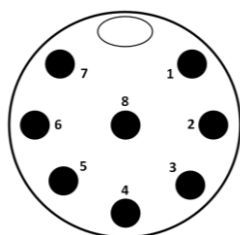
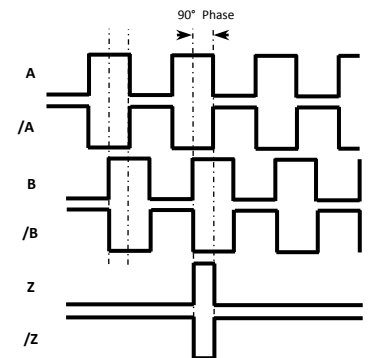
ELECTRICAL SPECIFICATIONS

Supply Voltage	+5 VDC, +10VDC...30VDC
Supply Current	50mA Nominal
Output Type	Push Pull, TTL Line Driver, Open Collector (Optical)
Output Signals	A, /A, B, /B, Z, /Z
Output Current	100mA max. (Every Channel)
Connection	5 or 8 x 0,14 mm ² Cable with shield

OUTPUT SIGNALS

PIN NO	SIGNAL	CABLE COLOR
1	A	YELLOW
2	/B	WHITE
3	+V	RED
4	0 V	BLACK
5	/A	BLUE
6	B	GREEN
7	/Z	GREY
8	Z	PINK
9	GROUND	SHIELD

In the left tablet he cable colors of sensors output signals are given. If the control circuit is suitable in the Line Driver sensors of the not output signals (/A, /B, /Z) have to be added to the system. If it is not suitable /A, /B, /Z signal cables must be fixed as insulated separately. Don't forget that these edges have electricity too.

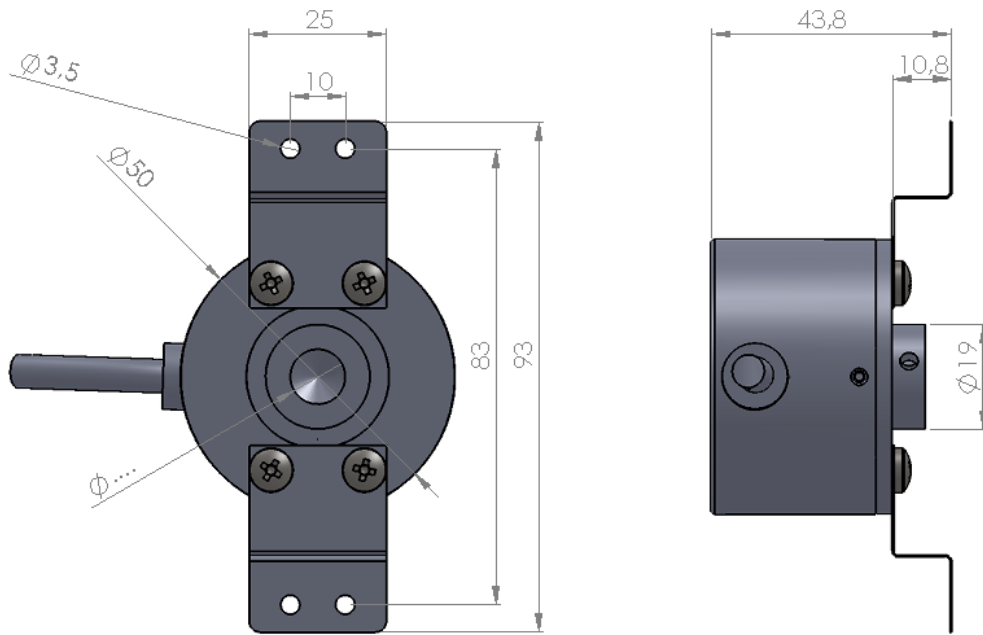


S16 PIN NO SIGNAL CABLE COLOR

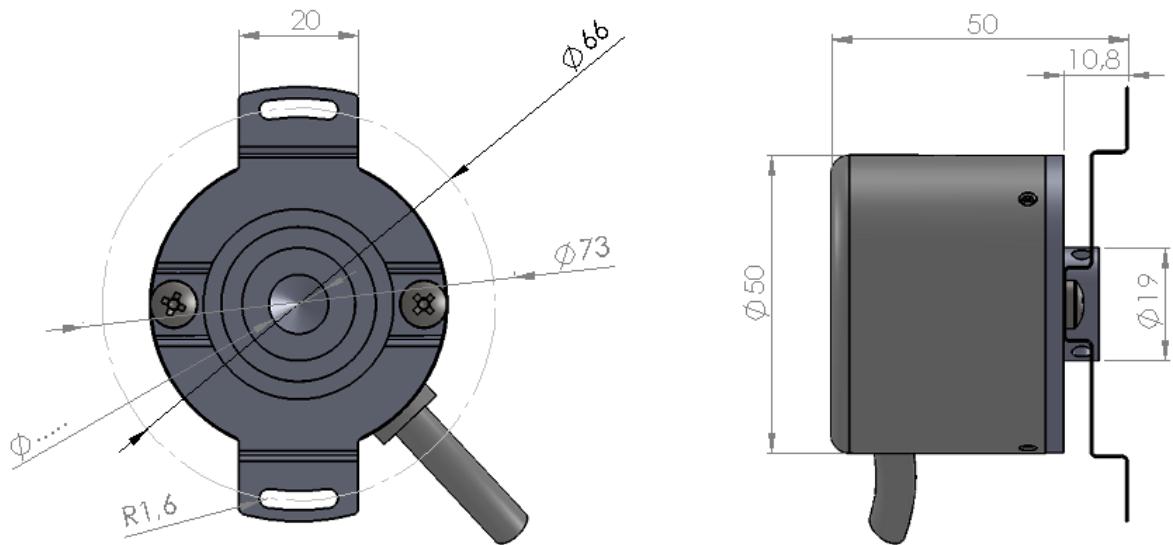
S16 PIN NO	SIGNAL	CABLE COLOR
1	A	YELLOW
2	/B	WHITE
3	+V	RED
4	0 V	BLACK
5	/A	BLUE
6	B	GREEN
7	/Z	GREY
8	Z	PINK
	GROUND	SHIELD

MECHANICAL DIMENSIONS

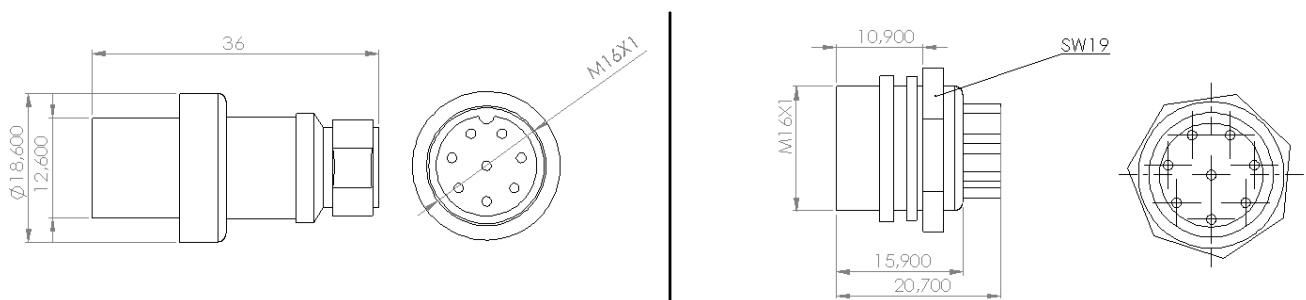
FZ – “Z” Type Flange



FC – Circular Flange

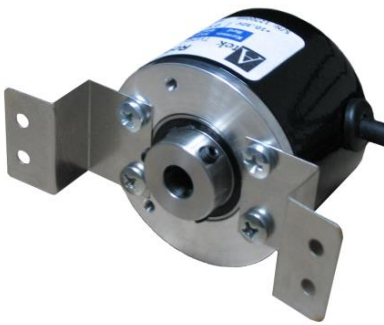
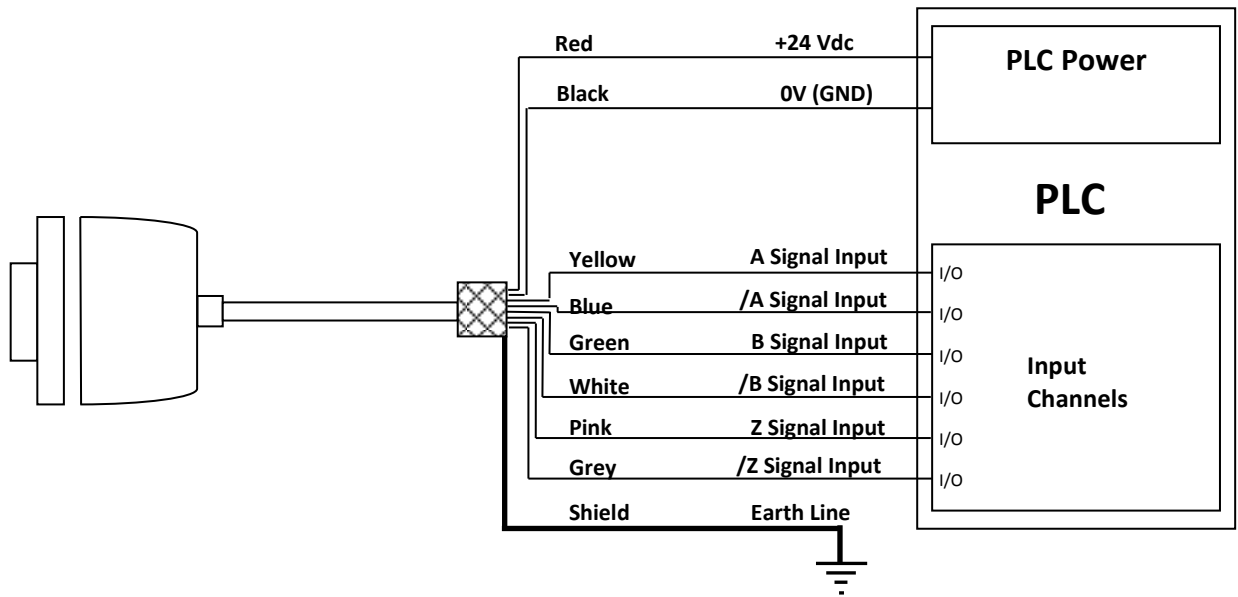


S16 Socket Dimensions



Hole Depth: 20 mm (Standard) – Ask us for the other options

SAMPLE APPLICATION



FZ - "Z" Type Flange



FC – Circular Flange



S16 (M16, 8Pin)
Socket Connector



Backside Poliimid
Spiral

ORDER CODING

<p>Series ARC : Optical ARS : Magnetic</p>	<p>Body Diameter 50 : 50 mm</p>	<p>Power Supply and Output PP : 10...30 VDC Supply : 10...30VDC Output TTL : 5 VDC Supply : 5 VDC TTL Output HTL : 10...30 VDC Supply : 5 VDC TTL Output HPL : 5...24 VDC Supply : 5...24 VDC Push-Pull Output OCL : Open Collector (Only Optical)</p>	<p>Cable Length 3M : 3M (Standard) 5M : 5M 8M : 8M 10M : 10M S16 : M16, 8 Pin Socket (Only Backside) *Optional up to 35 meters</p>	<p>Hole Diameter 6 : 6 mm 8 : 8 mm 10 : 10 mm</p>
<p>XXX - B - 50 - XXX - XXX - X - XM - X - X - X</p> <p>Shaft Type B : Blind (Semi) Hollow Shaft</p>	<p>Resolution From 4 Pulse up to 5000 Pulse See Resolutions*</p>	<p>Output Signals 3 : A, B, Z 6 : A, /A, B, /B, Z, /Z</p>	<p>Cable Direction A : Backside Y : Sidewise AS : Backside + Spiral</p>	<p>Flange Type FZ : "Z" Type Flange FC : Circular Flange</p>

***Resolutions:**
Optical: 100 – 360 – 500 – 1024 – 2048 (Optional other)
Magnetic: 4 – 8 – 16 – 20 – 25 – 32 – 40 – 50 – 64 – 80 – 100 – 125 – 128 – 200 – 250 – 256 – 400 – 500 – 512 – 800 – 1000 – 1024 – 2048 – 3600 – 4096 – 5000 (Optional other)

Example Coding:
ARC-B-50-1024-PP-6-10M-A-10-FZ
 Optical, Semi Hollow Shaft, 50 mm body diameter, 1024 pulse, Push-Pull, 6 Output Signals, Backside 10 meters cable, 10 mm hole diameter, Z type flange rotary encoder

Iran agent

Atek Sensor Technology A.S.



Tel: 021 66 3939 00
 Mob: 0912 147 3023
 www.IranAtek.ir

Tuzla Kimya Sanayicileri Org. San. Bolg. Melek Aras Bulvari, No:67 34956 Tuzla - Istanbul / TURKEY
 Tel: +90 216 399 44 04 Fax: +90 216 399 44 02
www.ateksensor.com info@ateksensor.com