



- Magnetic principle operation
- Incremental measurement
- 6, 8 or 10 mm shaft diameter
- Resolution from 1 to 1024 pulses
- 300 KHz response frequency

TECHNICAL SPECIFICATIONS

Operating Temperature	- 25 to 85 °C
Storage Temperature	- 40 to 100 °C
Body Diameter	37 mm
Response Frequency	300 KHz
Operating Speed	3.000 RPM max
Shaft Diameter	8mm (Optional 6 or 10)

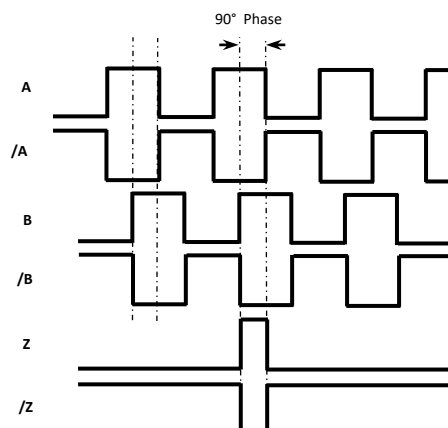
ELECTRICAL SPECIFICATIONS

Supply Voltage	+5 VDC, +10VDC...30VDC
Supply Current	50mA Nominal
Output Type	Push Pull, TTL Line Driver
Output Signals	A, /A, B, /B, Z, /Z
Output Current	100mA max (Each channel)
Connection	8 x 0,14 mm ² Cable with shield

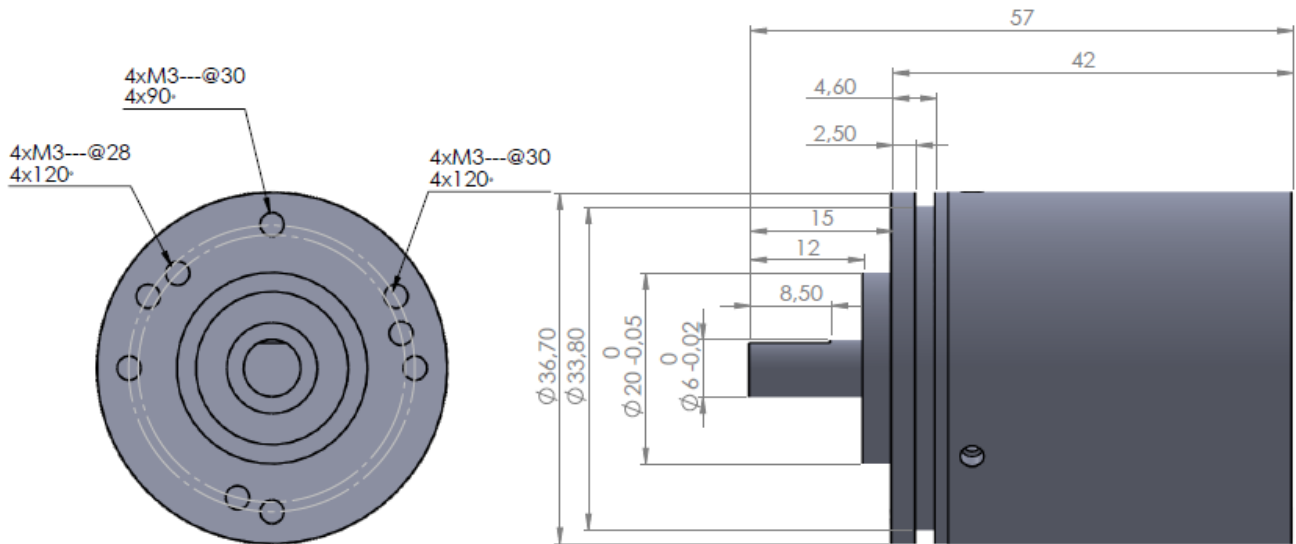
OUTPUT SIGNALS

PIN NO	SIGNAL	CABLE COLOR
1	A	YELLOW
2	/B	WHITE
3	+V	RED
4	0 V	BLACK
5	/A	BLUE
6	B	GREEN
7	/Z	GREY
8	Z	PINK
9	GROUND	SHIELD

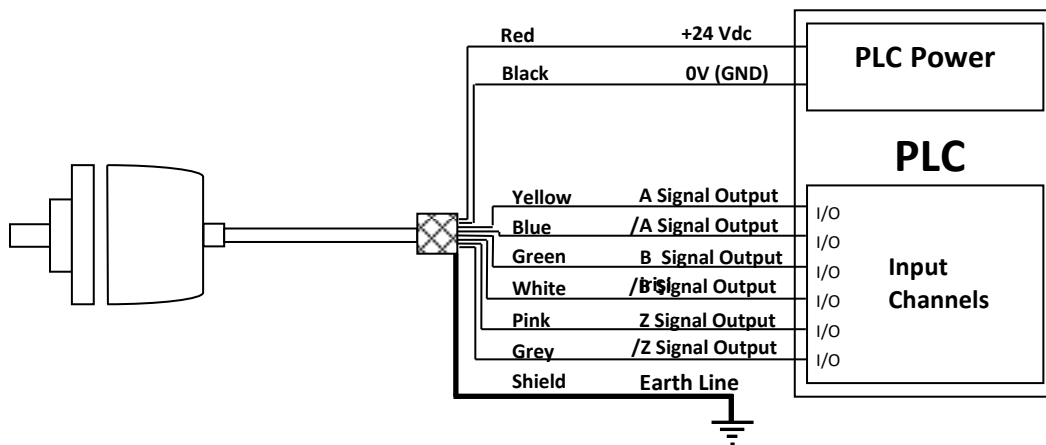
The cable colors of the output signals of the left table sensor are given. If the control circuit is available, the output signals (/ A, / B, / Z) of the Line Driver sensors must be included in the system. If the control circuit is not available, the wires of the A, / B, / Z signals must be fixed separately. It should not be forgotten that there is electricity also at these edges.



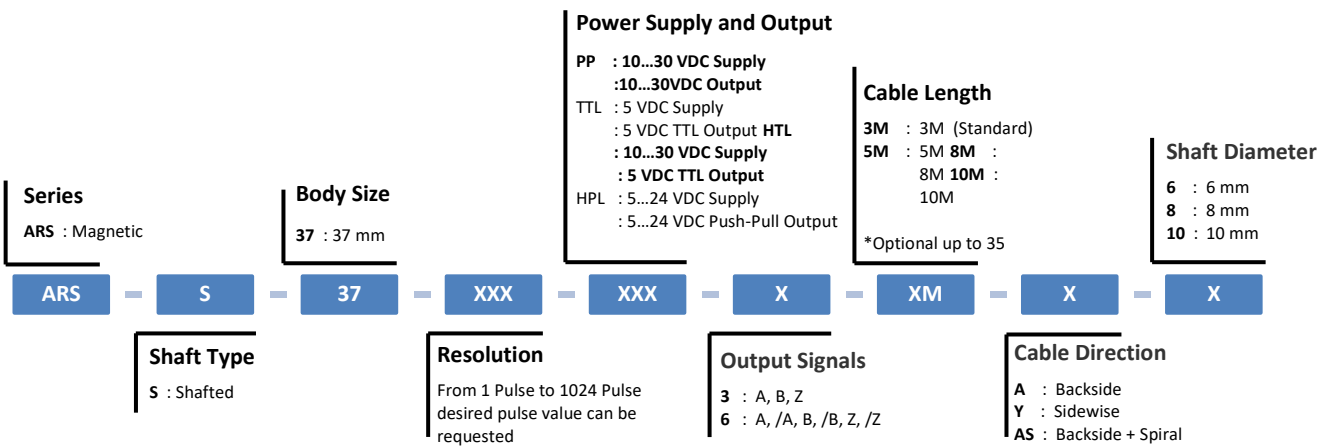
MECHANICAL MEASUREMENTS



SAMPLE APPLICATION



ORDER CODING



Iran agent

Atek Sensor Technology A.S.



Tel: 021 66 3939 00
 Mob: 0912 147 3023
 www.IranAtek.ir

Tuzla Kimya Sanayicileri Org. San. Bolg. Melek Aras Bulvari, No:67 34956 Tuzla - Istanbul / TURKEY
 Tel: +90 216 399 44 04 Fax: +90 216 399 44 02
www.ateksensor.com info@ateksensor.com