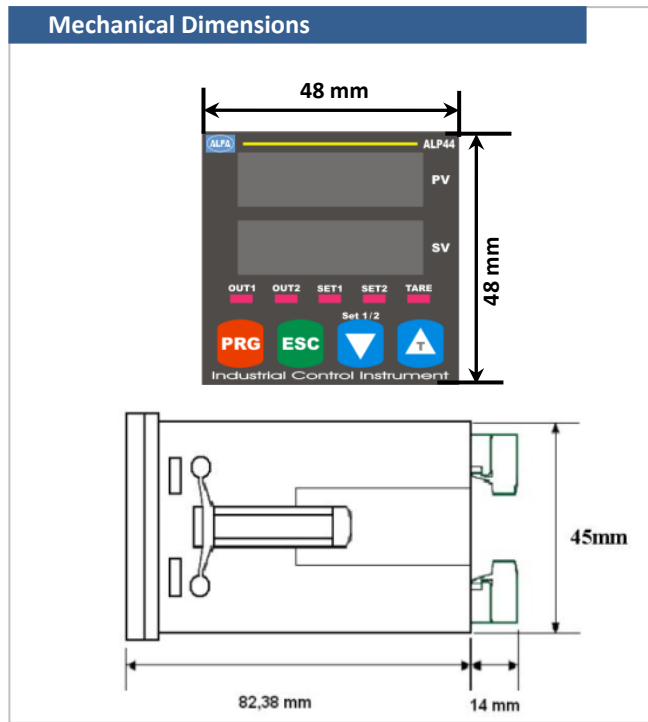




- 4 ms Sampling Time
- 2 pcs Relay Outputs (Double Contact)
- Adjustable Output Times
- Automatic Calibration
- Hysteresis
- TARE Function (ABS/REL Reset)
- Offset Value
- Password Protection

ALP 77-P series, 4 digits programmable measuring of displacement and angle by means of linear or rotary potentiometers.
 ALP 77- V series, measures instruments for 0-10 VDC voltage inputs.
 ALP 77-A series, measures instruments for 0/4-20 mA current inputs.



Technical Specifications

Power Supply	24 VAC/DC 50/60 Hz 85-265 VAC 50/60 Hz
Power Consumption	5,5 VA /4,4 W Maximum
Sensor Power Supply	5 VDC 100 mA (Potentiometer) 24 VDC 100 mA (Pressure, Distance sensors)
Wiring	2,5 mm ² Socket Terminal
Inputs	Potentiometer Input (ALP 77-P) 0-10V Voltage Input (ALP 77-V) 0 / 4-20 mA Current Input (ALP 77-A)
Outputs (Relays)	2 pcs 250 VAC 3A (For resistive load) Relay
Dimensions	72 x 72 x 96 mm
Weight	300 grams
Relative Humidity	Up to 31 °C %80, above 31 °C linear decreasing and at 40°C %50
Storage Temperature	-10 to 60 °C
Operating Temperature	0 to 50 °C
Protection Class	IP60 Front Panel, IP20 Rear Panel

